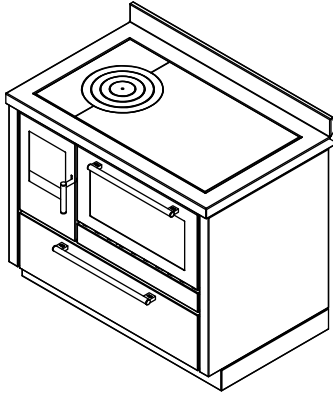


LM110**PROFESSIONAL WOOD-COOKERS**

mm 1100x700xh910

CE EN -12815 certification



Colours:

Stainless steel

STANDARD EQUIPMENT:

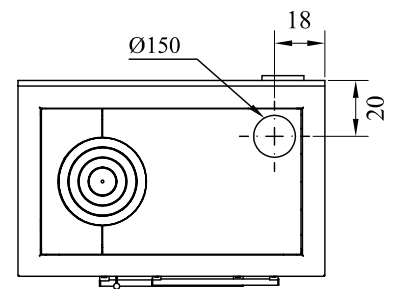
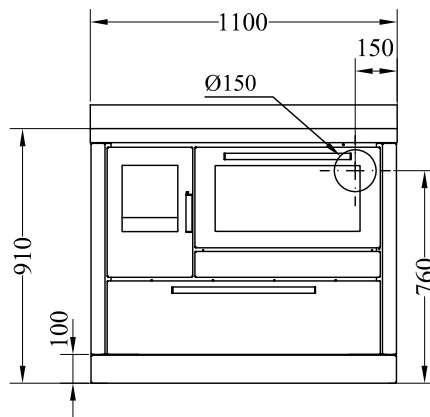
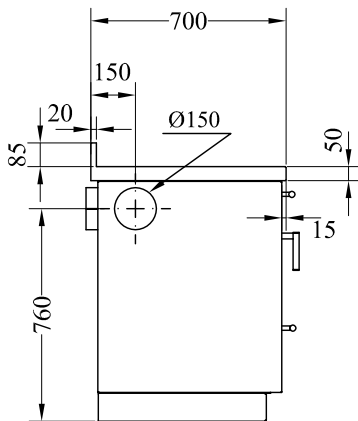
- above flue outlet, right or left \varnothing 150 mm
- oven mm 550x560xh280 GN 1/1
- oven-light and thermometer
- cast-iron hotplate mm 930x520 with cooking rings set
- s.steel frame of mm 50 (h totale 910 mm.)
- stainless steel base h. 100 mm
- external flue air

BY REQUEST:

- rear or side flue outlet, right or left \varnothing 150 mm
- firebox and hash drawer blind doors

OPTIONALS:

- 2 or 3 sides handrail \varnothing 20 mm, Stainless steel



Right flue version. Left flue version is symmetrical

DATA SHEET

Nominal heat output (max): 7.5 (10) kw	Efficiency: 75 %
Mean content of CO to 13% O ₂ : 0.11 %	External flue air: standard
Hearth dimensions (LxP): 22x44x36 cm	Fill opening (LxH): 22x25 cm
Mean flue gas temperature: 242 °C	Flue gas mass flow: 11,2 g/s
Flue depression: 0.12 mbar	Net weight/packaging included: 330/350 kg